



**GRANT WESTFIELD**  
TRANSFORMING SPACES SINCE 1881

The first choice  
for decorative walls

Craftsmanship  
High quality  
Innovation



## Our Specification Service

The UK industry leader in the design and manufacture of wall panelling solutions



Bleached Cuneo Oak - Naturepanel

# Contents

- 4 — About us
- 8 — Why choose our panels for your next project?
- 14 — Our brands
- 24 — Our customers
- 38 — Here to support you



# About us



Valmasino Marble - Pure Collection, Multipanel  
 Markham Calhoun Oak, Timber - Click Flooring, Multipanel  
 Monza, Tile Grout Edge - Click Flooring, Multipanel

“

The shower panels require no maintenance. A clean with a damp cloth and they come up like new and there's no discoloured grout which needs replacing over time.

”

Rory Mcleod - Owner of Gordon's Hotel

# Save time and money on installations without compromising on quality

## Our Company

Since 1881, Grant Westfield has been dedicated to manufacturing exceptional interior building products in Edinburgh. Throughout the course of over 140 years, successive generations have upheld a shared passion for craftsmanship, high quality, and innovation.

Over 8,000 Grant Westfield wall panels are manufactured each week at the company's factory in Edinburgh, which are distributed throughout the UK and Northern Europe through merchants, bathroom showrooms and leading online retailers.

## Our Brands

### MULTIPANEL®

In 2003, we introduced Multipanel, the UK's leading bathroom wall panel and in over two decades sales have grown to over 1 million square metres per year. From marbles and stones, to the award-winning Tile Collection, Multipanel allows for the creation of intricate and luxurious bathroom interiors.

### NATUREPANEL®

Following the rise in demand for slat wall design, Grant Westfield introduced Naturepanel in 2024, providing the same authentic aesthetic as traditional wood panelling, without the maintenance.

Suitable in wet areas, Naturepanel can be used in bathrooms and showers, and due to the unique Hydrolock joint can be installed with sister brand, Multipanel bathroom wall panels to create a stand out interior.

## Our Quality

Our reputation is built on the exceptional quality of our wall panels. We have full confidence in their durability, which is why we offer a comprehensive 30-year warranty. To ensure the highest quality, our raw materials undergo meticulous testing to ensure compatibility with our precise Hydrolock® joint. Our commitment to excellence extends across all aspects of our business, as demonstrated by our ISO 9001:2015 certification for quality management and our ISO 14001 certification for environmental management.



Easy to keep clean



Quick and easy to install



Fully waterproof



Grout free installation



Can be installed over tiles

# The sustainable choice for decorative interior wall coverings

Supporting specifiers, architects and designers to meet their environmental targets with sustainable solutions is at the heart of what we do.

## EPD

We're proud to have obtained an Environmental Product Declaration (EPD) for all our UK collections. The EPD covers environmental impacts from cradle to grave and has been independently verified to help you choose products that support carbon emission reduction.

Read more on our EPD at [multipanel.co.uk/EPD](https://multipanel.co.uk/EPD) and [naturepanel.co.uk/EPD](https://naturepanel.co.uk/EPD).

## Made in Britain

We're proud members of Made in Britain and all Multipanel wall panels are manufactured in our Edinburgh factory. We source over 90% of our raw materials from the UK & Ireland, supporting the local economy and minimising our impact on the environment.

## FSC®-certified

Multipanel is FSC®-certified. This ensures the timber we use originates from responsibly managed forests and other controlled sources, and our finished products comply with globally recognised ecological, social and economic standards for complete customer assurance on responsible sourcing.

## Recyclable Product

Our panels are 100% recyclable and we recycle 99% of post-production waste into biomass materials. We've also achieved ISO 14001, demonstrating our commitment to the environment.

Read more on our sustainability initiatives at [multipanel.co.uk/sustainable-multipanel](https://multipanel.co.uk/sustainable-multipanel) and [naturepanel.co.uk/sustainable-naturepanel](https://naturepanel.co.uk/sustainable-naturepanel).



Seeing Grant Westfield put sustainability at the front of their agenda was important to us when deciding to partner with them.

Sophie Chater - Sales & Marketing Executive, Totally Modular

Why choose our panels for your next project?



Alpine White - Tile Collection, Metro, Multipanel

“

Multipanel has so many advantages. Among them are the huge savings in labour costs, such as tiling and grouting, which normally take double the time to complete.

”

Celia Potter - Director of Potters Resorts, Five Lakes

## Precisely engineered and equipped with a unique Hydrolock<sup>®</sup> joint

Grant Westfield wall panels are precisely engineered and equipped with a Hydrolock<sup>®</sup> joint, which allows seamless installation in rooms including wet rooms and bathrooms. With a wide range of designs and sizes, there is something for everybody. Find out below why our panels are the right choice for you.

### 1. Decor - On-trend laminates

We use exclusive and on-trend laminates. From competitively priced popular decors to the exclusive Linda Barker Collection and the award winning Tile Collection, our collections cater to every need. Pick from our stone, wood, and even marble effect walls or create a subtle minimalist design. We also offer tile effect panels, which are the only FSC<sup>®</sup>-certified tile effect panel made in the UK.

### 2. Exterior MDF - Sustainable core

Our core is made from Exterior MDF with Class 4 durability for areas of prolonged exposure to running water. Exterior Grade MDF has a higher density and lower formaldehyde content than MR MDF or birch plywood, which allows for a cleaner, safer cut.

### 3. Laminate backing

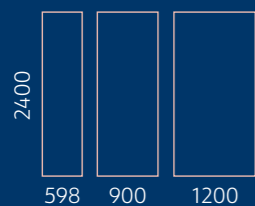
Our backing is made from laminate and requires less conditioning than paper backing, reducing the potential for bowing.

### 4. Innovative Hydrolock<sup>®</sup>

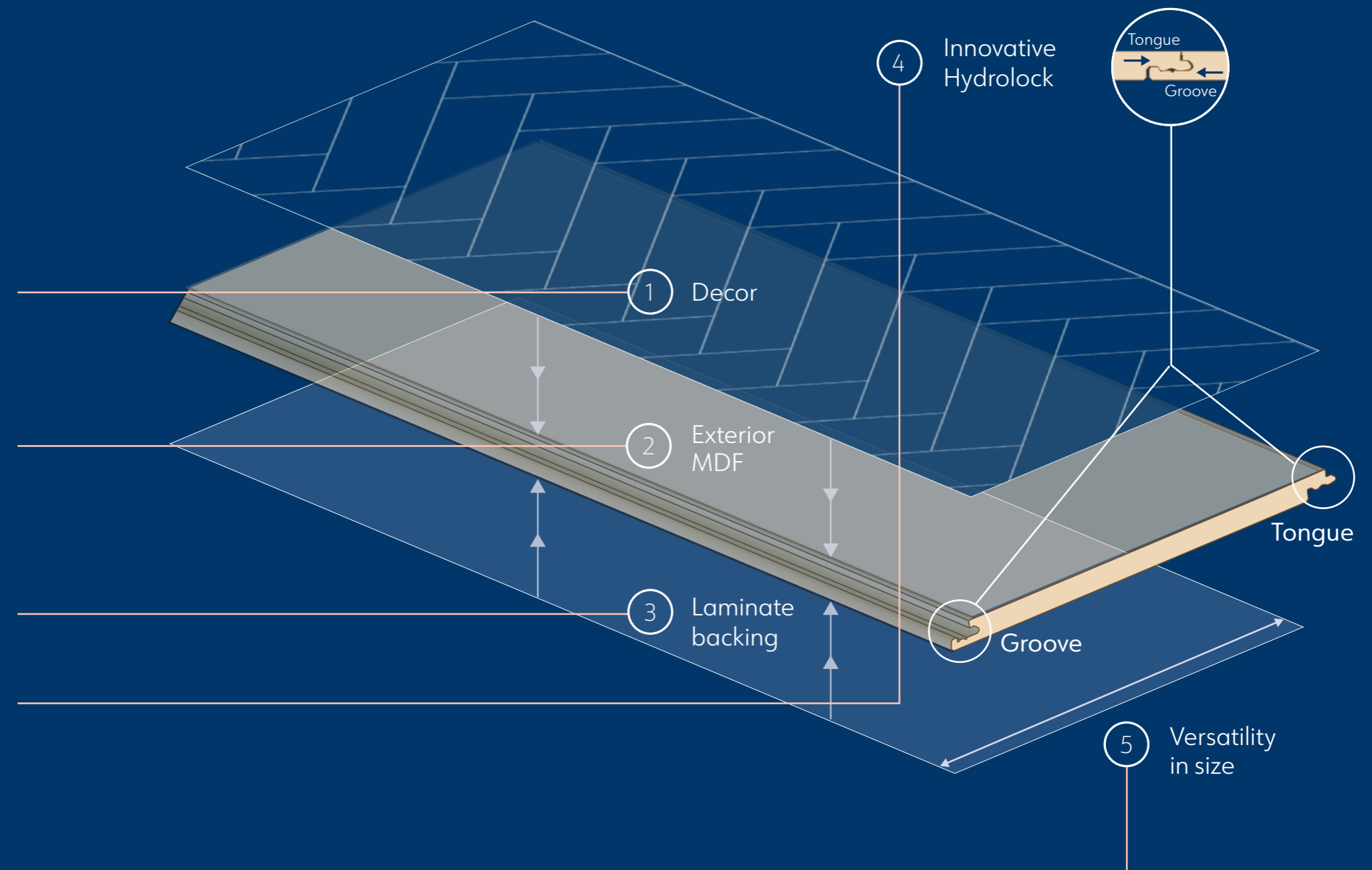
Our interlocking Hydrolock<sup>®</sup> joints provide greater precision and a superior finish compared to the traditional T&G slot joint. Our Hydrolock panels feature a market-leading 6mm tolerance, for fitting over uneven surfaces.

### 5. Versatility in size

Both Hydrolock and Unlipped panels are available in 598mm, 900mm and 1200mm widths, offering maximum versatility.



## The anatomy of a Grant Westfield waterproof wall panel



View our Hydrolock 6mm tolerance in action

# A perfect balance of high-end design and functionality

## Panels V tiles

Style, design and functionality are key to creating luxurious wall spaces fit for purpose. Grant Westfield panels offer a modern alternative to tiles that are stylish and on trend, as well as providing more practical benefits listed below:

	Multipanel	Traditional Tiles
Fully waterproof	✓	✓
No grout required	✓	X
Resistant to mould	✓	X
Quick and easy installation	✓	X
30 year warranty	✓	X
Made from sustainable materials	✓	✓
Made in UK	✓	X

## 30 year warranty

Backed by over 20 years of product research and development, we're confident that our wall panels and click flooring can deliver superior quality and durability. Read more on the warranty below.

- Declaration of Performance (DOP) documents are available at [multipanel.co.uk/product-literature](https://multipanel.co.uk/product-literature) and [naturepanel.co.uk/product-literature](https://naturepanel.co.uk/product-literature)
- Installation guidelines and full details on each product warranty can be downloaded from [multipanel.co.uk](https://multipanel.co.uk) and [naturepanel.co.uk](https://naturepanel.co.uk), or emailed on request
- Multipanel High Grab Panel Adhesive/Sealant must be used and is available to order from your local distributor or showroom
- Grant Westfield's 30 year warranty\* covers the unlikely failure of the product, and will be invalid if any published installation and care guidelines are deemed not to have been followed



*\*Applies to all Multipanel and Naturepanel Wall Panels and Click Flooring.*

*Full warranty details for all products are available online.*



Warmia Walnut, Naturepanel Rimini, Tile Standard - Click Flooring, Multipanel

Grant Westfield's 30-year guarantee provides us with even greater confidence in the quality and durability of their product.

# Our brands



White Terrazzo - Pure Collection, Multipanel  
 Brown Cuneo Oak - Naturepanel



# MULTIPANEL®

## The UK's leading bathroom wall panels

Manufactured in Edinburgh, our award-winning bathroom wall panels are a modern, easy to install alternative to traditional ceramic tiles.

The fast, grout-free installation of Multipanel wall panels makes them a favourite with homeowners, bathroom installers, and specifiers.

Multipanel panels provide a sleek and modern aesthetic and are available to order in a range of sizes and finishes, including marble, stone, wood, and tile. The Tile Collection is the only tile-effect wall panel collection in the UK to hold both Made In Britain and FSC® (Forest Stewardship Council® FSC 128180) certification.

For more information on the individual collections and installation guidelines, please visit the Multipanel website.

[multipanel.co.uk](https://multipanel.co.uk)

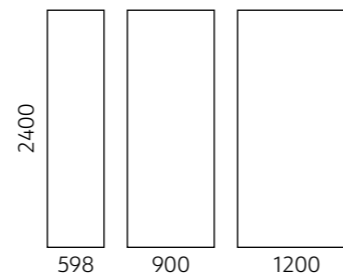
### Panel size information

Panels in the Linda Barker, Contemporary and Classic Collections are available in a range of widths for ease of installation and all feature our Hydrolock edge.

- 2400 x 598 mm
- 2400 x 900 mm
- 2400 x 1200 mm

All panels are 11mm thick.

*The Hydrolock® joint reduces the finished face by 18m i.e. 2400mm x 1200mm becomes 2400 x 1182mm. Straight edge panels are also available.*



## Linda Barker LINDA BARKER



Calacatta Marble - Linda Barker Collection

Curated by interior designer Linda Barker and exclusive to Multipanel, the collection is inspired by the natural world with marble, granite and wood panels that look and feel authentic.

## CONTEMPORARY



Jupiter Silver - Contemporary Collection  
Como, Chevron - Click Flooring, Multipanel

Transform your bathroom into an oasis of tranquillity. From textured stone to creamy marble with delicate veins, the neutral colours and textures in this collection are designed to evoke a sense of peace.

## CLASSIC



Riven Slate - Classic Collection  
Bolsena, Chevron - Click Flooring, Multipanel

With a range of gloss or textured finishes, including natural stone, precious stone and marble, the Classic Collection contains a range of designs to suit any bathroom.

# Tile

BEAUTIFUL TILE PATTERNS



White Gypsum - Tile Collection, Large Monza, Tile Grout Edge - Click Flooring, Multipanel



Antique Rose - Tile Collection, Metro



Monument Grey - Tile Collection, Herringbone

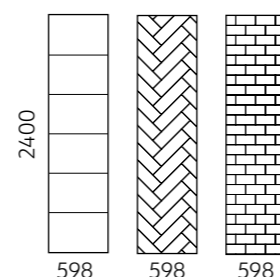
### Panel size information

Panels in the Tile Collection are 598mm wide and all feature our Hydrolock edge.

All have a 2.5mm grout line.

All panels are 11mm thick.

*The Hydrolock® joint reduces the finished face by 18m i.e. 2400mm x 598mm becomes 2400mm x 580mm.*



Large Tile size is 580mm x 400mm, Herringbone Tile size is 410mm x 123mm and Metro Tile size is 191mm x 97mm.

# Pure

SHEER COLOURS & TEXTURES



White Mineral - Pure Collection  
Taupe Grey - Pure Collection  
Bolsena - Chevron, Click Flooring, Multipanel

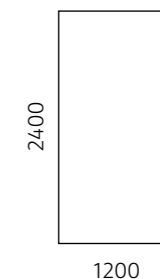
The Pure Collection includes on-trend designs and textures for a sleek, elegant look. Renovate your bathroom with our stylish, neutral earth tones or add a touch of colour with our pinks and blues. If you're looking to recreate a luxurious look, check out our mineral décors and bestselling marble effects.

### Panel size information

Panels in the Pure Collection are 1200mm wide only. 2400mm x 1200mm (Hydrolock® and straight edge).

All panels are 11mm thick.

*Please note the Hydrolock® joint reduces the finished face by 18m i.e. 2400mm x 1200mm becomes 2400mm x 1182mm.*



If you love the appearance of traditional tiles but are tired of living with the maintenance of grout, the Multipanel Tile Collection is for you. Using the very latest in manufacturing technology, we etch a 2.5mm pale grey grout line into our Tile Collection décors across our Large, Metro and Herringbone décors.



# MULTIPANEL® CLICK FLOORING

Luxury tile, stone and wood effect LVT vinyl flooring that offers all the chic styling of ceramics and engineered wood with the added benefit of simplified click installation.

- No need for adhesives or underlay
- 0.5mm wear layer
- R10 slip resistance
- Not suitable for areas exposed to direct sunlight for prolonged periods
- 30 year warranty\*

For more information and installation guidelines, please visit [multipanel.co.uk/flooring](http://multipanel.co.uk/flooring)

\*For full warranty terms and conditions please visit our website.



Scan to view our Click Flooring range



Rimini - Tile Standard



Salerno -Tile Grout Edge



Bolsena - Chevron

## Timber

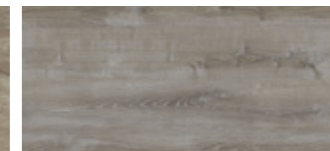
These beautiful woods will instantly add luxury to your interiors. Choose from the traditional Markham Calhoun Oak or the richness of Aspen Oak. If you're looking for a more minimalist look choose Driftwood Grey Oak. Wood planks are supplied in packs of 8, each 1210 x 190mm.\*



Markham Calhoun Oak  
MDCCMAR



Aspen Oak  
MDCASP

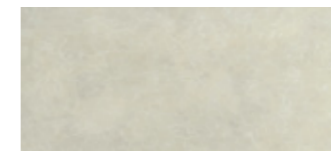


Driftwood Grey Oak  
MDCDGO 1210 x 220mm

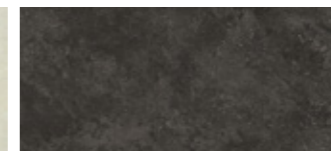
\*Except Driftwood Grey Oak, in packs of 7, each 1210 x 220mm

## Tile - Standard

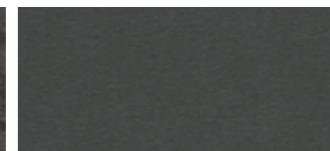
Add a luxurious touch to your project with these luxury vinyl tiles, designed to mimic the natural beauty of real stone and marble. Tiles are supplied in packs of 10, each 605 x 304mm.



Rimini  
MDCRIM



Sicilia  
MDCSIC



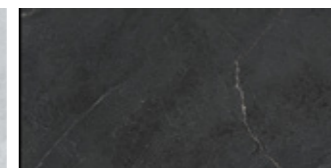
Urban Anthracite Grey  
MDCUAG

## Tile - Grout edge

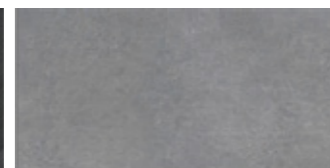
Our luxury marble and stone tile vinyl flooring features a complementary grout line, creating the appearance of tiles with the added benefit of simplified click installation. Tiles are supplied in packs of 9, each 604 x 302mm.



Monza  
MDCMON



Salerno  
MDCSAL



Vicenza  
MDCVIC

## Chevron

A modern on-trend geometric patterned flooring that once laid, creates a continuous 'v' shape known as chevron. With the range of tones, hues and colours, chevron wood floors can be worked seamlessly into any home. Each piece of flooring has 8 segment planks and is supplied in packs of 8 938.5x305mm with 4 left and 4 right panels.



Bolsena  
MDCBOL



Prespa  
MDCPRE



Como  
MDCCOM

## Dimensions and floor coverage

	Timber	Tile - Standard	Tile - Grout Edge	Chevron
<b>Tile/Plank Size (mm)</b>	1210 x 190	605 x 304	604 x 302	938.5 x 305
<b>Thickness (mm)</b>	5	5	6	7.3
<b>Pieces per Pack</b>	8	10	9	8
<b>M<sup>2</sup> per Pack</b>	1.84*	1.84	1.64	2.29

\*Except Driftwood Grey Oak, 1.86m<sup>2</sup>

The pattern on Multipanel Floors, (Click Tiles) varies between tiles to ensure the most realistic effect is created across the whole installation. Therefore a single sample may not represent the overall effect once the floor is laid.

# MULTIPANEL<sup>®</sup> ACCESSORIES

## Wall panel profiles

To finish off edges or to join panels in a corner, the appropriate profiles must be used - see opposite page. Use the table to help you select the right profiles for your design.

All vertical profiles are 2.45m long aluminium with 11.5mm depth. The base profile is aluminium, while the wall to floor, and bath/shower tray seal kits are white PVC.

*Please note: All 3D drawings are a generic representation of the profile type. Dimensions specific to each range are shown on the line drawings.*

### Available Colours

-  Matt Black
-  White
-  Satin
-  Polished
-  Brushed Brass



Scan to view our profiles online

## Installing our panels with Multipanel adhesive

Multipanel High Grab Adhesive should be used for a safe and secure fit.

Our Multipanel Light Grey adhesive has been designed to replicate the exact grout colour that is used in our Tile Collection décors.



Corten Elements - Linda Barker Collection, Multipanel  
Taupe Grey - Pure Collection, Multipanel

### Silicone sealants

-  Light Grey\*
-  White
-  Cream
-  Dark Grey
-  Clear


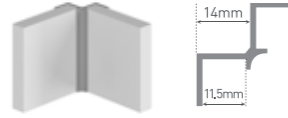
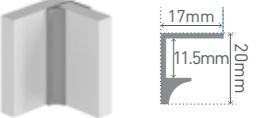
### High grab adhesives

-  White

*\*Perfect colour match for the Tile Collection grout line*



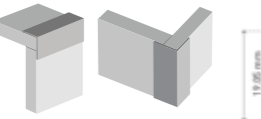
## Internal corners (90°)

Used to connect two panels at right angles, such as within shower enclosures, and around baths.

Invisible Corner Type 101 MPIHCML	Internal Corner Type A MPIA	Last Corner Type Y MPIAL
		
<ul style="list-style-type: none"> <li>✓ No visible aluminium</li> <li>✓ Seal gap with coloured silicone</li> </ul>	<ul style="list-style-type: none"> <li>✓ Curved visible fascia</li> </ul>	<ul style="list-style-type: none"> <li>✓ Curved fascia matches Type A Internal profile</li> <li>✓ Greatest tolerance for non-square corners</li> <li>✓ Fits to face of second panel, making recessed areas and the last corner of a whole room easy to fit</li> </ul>

## External corners (270°)

Used to connect two panels at reflex angles (270°), such as where a recessed shower/bath meet adjacent walls. The Angle profile is also particularly versatile and easy to fit for pipe boxing, window recesses and niche shelving recesses.

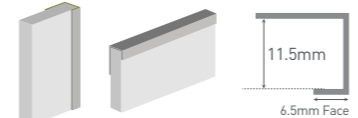

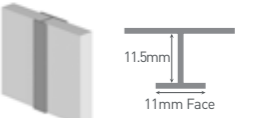
Flush Corner Type 100 MPEX	External Corner Type B MPEA	Angle Profile Type 102 MPAP
		
<ul style="list-style-type: none"> <li>✓ Versatile profile for use on both internal and external corners</li> <li>✓ Squared visible fascia as alternative to rounded Type A (internal) and Type B (external).</li> </ul>	<ul style="list-style-type: none"> <li>✓ Curved visible fascia</li> <li>✓ Panels slot into both sides of profile</li> </ul>	<ul style="list-style-type: none"> <li>✓ Squared visible fascia</li> <li>✓ Fitted over the face/end of two panels</li> </ul>

## End caps

Used to finish off the end of a run of panels. End caps are also an alternative to the angle profile for boxing in and recesses.

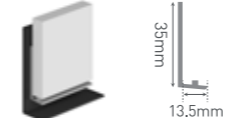


## Straight joints

When joining panels in a straight run at 180° Hydrolock T&G are used in most cases, with an aluminium profile available as an alternative.

End Cap Type C MPEC	Hydrolock	Mid-Joint Type D MPCH
		
<ul style="list-style-type: none"> <li>✓ Discreet 6mm visible face</li> <li>✓ Can be used vertically (out-with a shower enclosure) or horizontally (half height panelling out-with the wet area, or splashbacks)</li> </ul>	<ul style="list-style-type: none"> <li>✓ Discreet interlocking connection between panels, without using a mid-joint profile</li> <li>✓ Please see P.10 for further information</li> </ul>	<ul style="list-style-type: none"> <li>✓ Alternative to Hydrolock connection between panels</li> </ul>

## Base

At the base of the panel, we offer solutions for wetrooms, as well as over baths/shower trays. The latter is also commonly installed with no base profile, leaving a 3mm gap between the panel and the bath/tray, and filling with silicone sealant.

Base Profile Type X MPBPSA	Floor to Wall Type 103 MPFWFH	Bath/Shower Tray Seal Kit MPSEAL
		
<ul style="list-style-type: none"> <li>✓ Used in wetrooms, typically 100mm off the floor, with floor covering fitted behind the profile upstand.</li> <li>✓ Aluminium</li> </ul>	<ul style="list-style-type: none"> <li>✓ Transition profile for wall panels to sheet vinyl flooring</li> <li>✓ Permits replacement of flooring without removing wall panels.</li> </ul>	<ul style="list-style-type: none"> <li>✓ Used over shower tray / bath, to seal the base of the panel, and provided added protection against water ingress behind the tray/bath.</li> <li>✓ PVC</li> </ul>

# NATUREPANEL®

## Luxurious interiors inspired by nature

With an emphasis on natural materials, this range will allow you to embrace simplicity and minimalism with designs that are clean and visually balanced.

Using the latest technology, we etch a 6.4mm shadow line into our Naturepanel decor laminates, providing the depth of traditional wood panelling without the maintenance.

Being 100% waterproof, quick to install and easy to clean, Naturepanel wall panels are suitable for bathrooms, shower cubicles and high-traffic areas such as living and dining rooms. The on-trend, sustainable spec of the product makes them a strong choice for commercial spaces such as hotels, restaurants and gyms.

For more information on the individual collections and installation guidelines, please visit the Naturepanel website.

[naturepanel.co.uk](http://naturepanel.co.uk)



Scan to view the Naturepanel brochure

### Panel size information

Panels in the Naturepanel Collection are 598mm wide and all feature our Hydrolock edge.

- 14 slats
- 35mm wood slat
- 6.4mm shadow gap

All panels are 11mm thick.

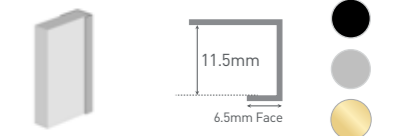


The Hydrolock® joint reduces the finished face by 18m i.e. 2400mm x 598mm becomes 2400 x 580mm.

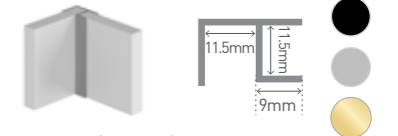


### Recommended selection of profiles for Naturepanel

End Cap (L-Shaped) **Type C** - MPEC

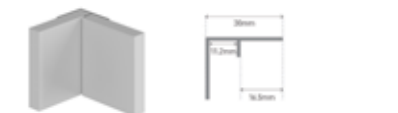


Flush Corner **Type 100** - MPEX



For external or internal corners

Invisible Corner **Type 101** - MPIHCML



For straight walls and a completely profile free finish

Angle Profile **Type 102** - MPAP



Please note: All 3D drawings are a generic representation of the profile type. Dimensions specific to each range are shown on the line drawings.

### Available colours

- Black
- Satin
- Brushed Brass



Scan to view our profiles online

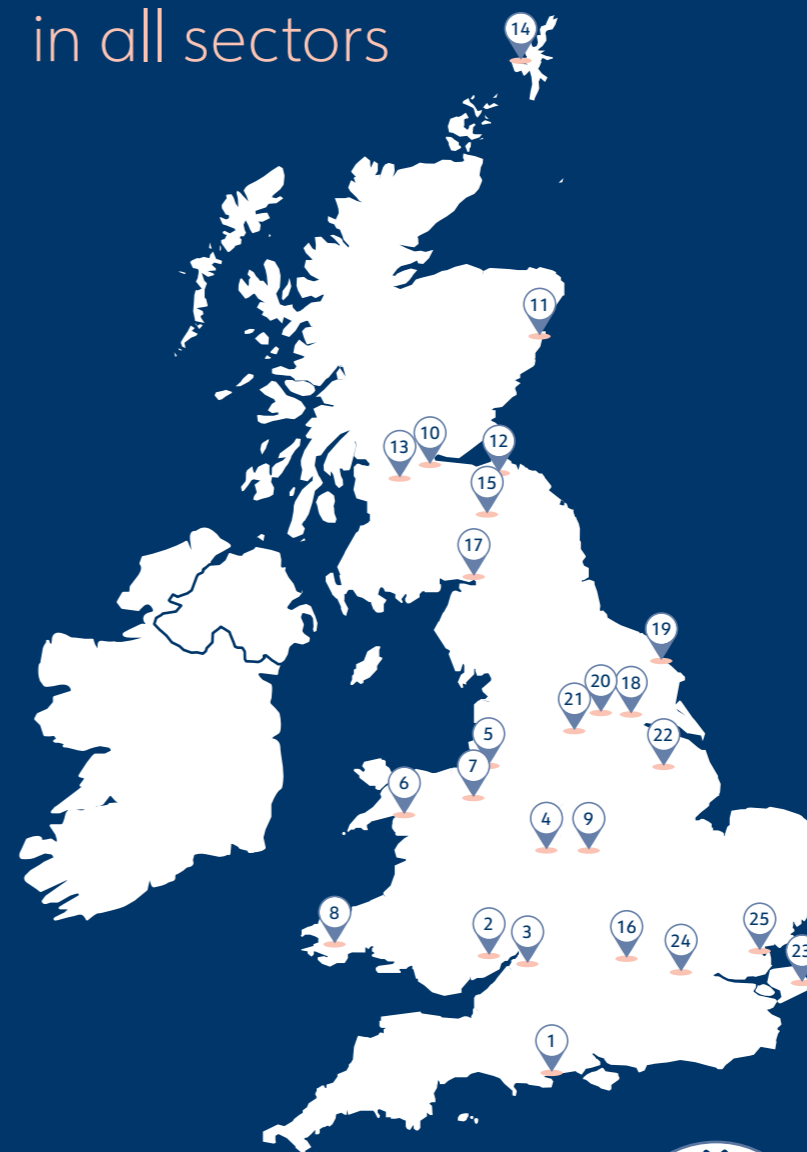


# Our customers



Monument Grey - Pure Collection, Multipanel

## Our work spans the breadth of the nation, in all sectors



Find out more on the Free Trial scheme at [www.grantwestfield.co.uk/free-trial-scheme](http://www.grantwestfield.co.uk/free-trial-scheme)

### National Agreement

- Network Stations
- Travelodge Hotel
- Places For People

### Map Locations

1. Marsham Court Hotel
2. Bron Afon Assisted Living
3. Bristol City Council
4. Birmingham City Council
5. Voyage Care Brain Injury Clinic
6. Portmeirion Village Holiday Resort
7. Tedmore Hall, Holiday Let Development
8. Bluestone National Park Resort
9. Stepnell Park Commercial Development
10. Cala Homes
11. Barratt Homes
12. Mansfield Care Homes
13. Glasgow University
14. Hjaltland Housing Association
15. Scottish Borders Housing Association
16. Beechcroft - Adapted Living units
17. Gretna Hall Hotel
18. York City Council
19. Yorkshire Housing
20. Sanctuary Housing
21. Jupiter Care Home
22. Lindum Homes
23. Mears
24. L&Q
25. Potters Leisure

“The training and support during the free trial process were excellent and the team were always on the phone to support moving forward”

Steve Wallin - Operations Manager at Fairhive Homes

# Social Housing

Housing associations face many challenges including regulatory frameworks, the need for more housing stock, faster construction and maintenance, as well as a duty to accommodate those requiring increased accessibility. Grant Westfield products improve the speed of construction and provide a number of other key benefits including reduced maintenance and vacancy downtime.

## Rapid Installation

Save up to 3 days per plot during the construction of social housing when you switch to Grant Westfield wall panels. Our Hydrolock® tongue and groove joining system creates a discreet, watertight joint without the need for grout. This means that our panels can be installed up to 5x faster than tiles.

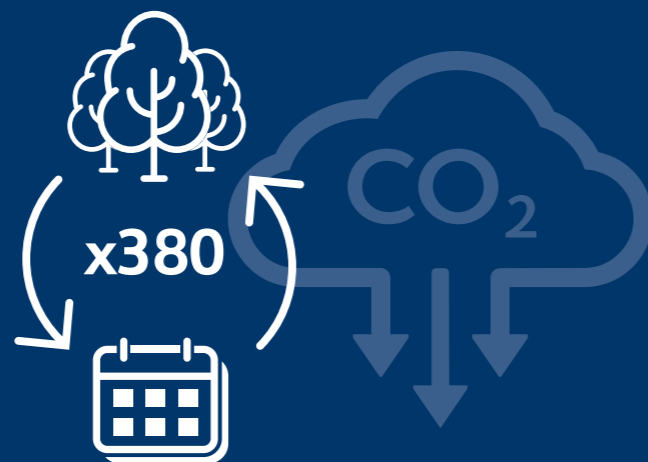
## On-Trend Designs

When providing social housing, a speedy construction or refurbishment is crucial, but this often means a limited availability of designs. With Grant Westfield, you have a wide range of designs, colours and textures. Create the luxurious bathrooms of your tenants' dreams – for a fraction of the cost.

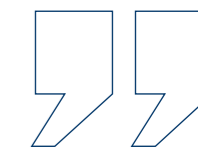
## Easy Maintenance

One of the major challenges in the social housing sector is that bathrooms need to be refreshed for incoming tenants. This results in significant cleaning demands and, in many cases, the replacement of grout lines and in worse cases the wall tiles, before the new tenant moves in. With the use of our bathroom wall panels, downtime and cleaning costs can be dramatically reduced as Grant Westfield wall panels are grout-free and require only a simple wipe down with a non-abrasive detergent to maintain their pristine condition.

The CO<sub>2</sub> reduction for an average sized housing association choosing our wall panels over tiles equates to planting 380 trees annually.



“I was really impressed with the product and the installation time vs tiling is impressive”



Steve Wallin, Operations Manager at Fairhive Homes

## Fairhive Homes Buckinghamshire

Fairhive Homes are one of the leading local affordable housing providers in Buckinghamshire and the surrounding areas, providing homes to over 20,000 people.

Fairhive Homes were reviewing their current specification of tiles due to ongoing issues with availability, as well as the increased costs associated with the installation of tiles. Fairhive Homes enrolled on Grant Westfield's Free Trial Scheme, which provides free products, as well as a free of charge installation service, to social housing organisations to help them understand the benefits of our wall panels first hand.

Fairhive Homes selected a level access wet-room adaption in a tenanted property for their free trial project. The panels, profiles, adhesives and sealants were provided as part of the trial. A fully trained Grant Westfield installer was also on-site during the installation process to offer guidance and support to the installation and maintenance team, all at zero cost to the organisation and Fairhive Homes were impressed with the finished product.

Following the completion of the trial installation, Fairhive Homes found that by choosing Grant Westfield wall panels instead of tiles, they reduced their average completion on bathrooms by 3 days, saving on time and labour costs.

“I was really impressed with the product and the Installation time vs tiling is impressive. Being able to install Grant Westfield panels over old tiles, the fact it can be delivered via our supply chain, and the reduction in ongoing maintenance with no grout damage, were also other great benefits. I wouldn't hesitate in recommending them to other social housing organisations”



View our case studies online



Arctic Stone - Contemporary Collection, Multipanel  
 Alpine White - Pure Collection, Multipanel  
 Markham Calhoun Oak, Timber - Click Flooring, Multipanel

Eliminate mould in social housing bathrooms. Prioritise tenant well-being with our hygienic, low maintenance wall panels.



# New Build Homes

New build developments can be hectic since new homes are usually completed on tight schedules. Not everything always goes according to plan, but with Grant Westfield, you can ensure that customer expectations and deadlines are met. Our wall panels are quick and easy to install thanks to the Hydrolock® tongue and groove joint.

## Increased Speed of Construction

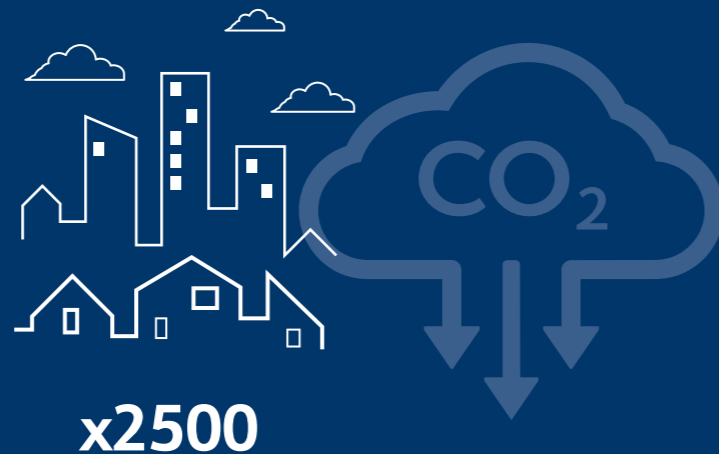
Grant Westfield shower wall panels can be fitted in 1 day compared with 3-5 days for traditional tiles. There is no need to wait for specialist wet trades as our products can be fitted straight onto timber frameworks or plasterboard. Thanks to our precisely engineered Hydrolock® joint system, panels can simply be clicked into place—saving time and costs in the process.

Grant Westfield wall panels can also be supplied on a just-in-time basis to suit new build programmes.

## Value for Money

Not only can Grant Westfield reduce installation costs by up to £30/m², it also impacts lifetime value as our bathroom panels come with a 30-year warranty. Reduce snagging complications for your customers as our bathroom wall panels require little to no maintenance to stay in pristine condition.

If all UK new built homes used Multipanel over tiles last year, the CO<sub>2</sub> saved could power 2500 family homes per year.



# Our joiners find the panels quick and straightforward to install

Mike Cowie, Sales and Marketing Director at Barratt Homes

## Barratt Homes Ocean Development

Barratt Homes, the UK's biggest housebuilder completed the fantastic Ocean Development of 174 one and two bedroom executive apartments in Aberdeen. The appropriately named development is just a stone's throw from the seafront and within walking distance of the city's amenities and attractions.

Waterproof wall panels, manufactured in the UK by Grant Westfield, were installed in the shower rooms of the development's luxury apartments.

"The panels provide the high-end luxury that our customers demand", says Mike Cowie, Sales and Marketing Director at Barratt Homes. "With Multipanel, we are able to achieve the authentic look of real marble or stone, creating the opulence redolent of a boutique hotel or spa, and this really appeals to today's house buyers.

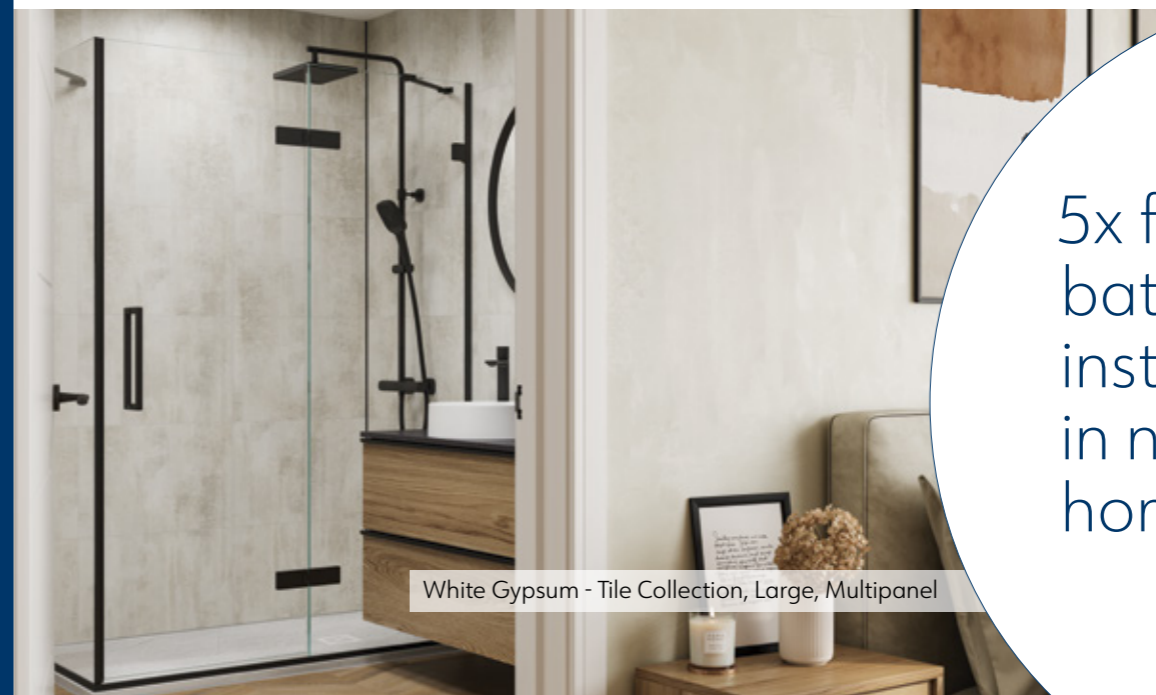
"Our own joiners find the panels quick and straightforward to install, and homeowners like the fact that they are really easy to clean."

Another of Barratt Homes' prestigious developments, Westburn Gardens, in the city's Riverside Quarter, will also feature Multipanel waterproof wall panels in its two and three bedroom properties.

"As with all our developments, we choose the best quality products for our fit-outs. The panels represent good value, and Multipanel's 30-year guarantee provides us with even greater confidence in the quality and durability of their product."



View our case studies online



White Gypsum - Tile Collection, Large, Multipanel

5x faster bathroom installations in new build homes



# Student Accommodation

Looking for a 5-star hotel-like finish to your accommodation bathroom? Upgrade student living spaces efficiently with Grant Westfield's high quality, luxury and durable wall panels. We redefine student accommodation refurbishment with quality assurance.

## Modern Bathroom Designs

When it comes to student accommodation, every detail matters. From luxurious en-suite bathrooms to chic decor, our panels elevate student satisfaction and property value. Grant Westfield offers a solution to creating vibrant interiors in a cost-effective way with their extensive range of decors. With boutique designs, stunning marble, and tile effect panels, Grant Westfield provides an alternative to traditional tiling that is perfect for the student market. Upgrade your student housing design with Grant Westfield and impress your residents with sophistication and style.

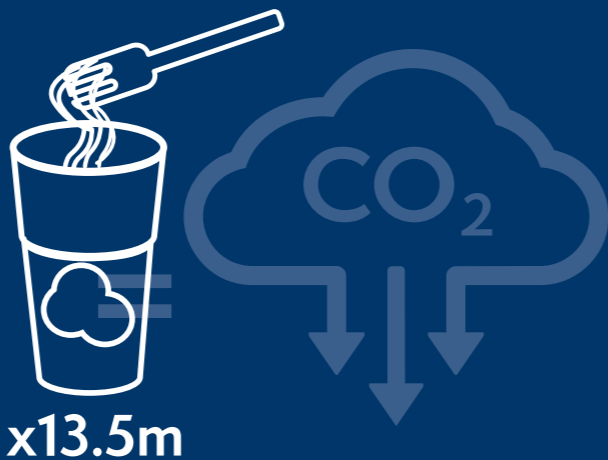
## Punctual Renovations

Universities have very limited time periods to perform renovations between term times and summer visitors. Grant Westfield products can dramatically reduce the time required to turn rooms around. Thanks to our precisely engineered Hydrolock® joint system, panels are quick and easy to install and can even be installed over old tiles. Since there is no need for specialist wet trades on site, rooms can be completed within 24 hours.

## Minimal Cleaning Requirements

Innovative Grant Westfield shower panels require minimal maintenance, no grout, and are easy to clean - saving you time and resources on room turnarounds. These hygienic panels, with no grout to worry about, are the perfect alternative to tiles for communal student bathrooms. With a 30-year warranty, Grant Westfield products not only promise durability but also help reduce facilities management costs in the long run.

The CO<sub>2</sub> saved if Multipanel was used over tiles when building the yearly average of UK student bathrooms equates to 13.5m Pot Noodles.



x13.5m



# Farrier House set a new benchmark for student accommodation

Nilem Boyd, Director of Stannery Solutions

## Farrier House Worcester

Farrier House, next to Worcester University's City campus, was a neglected and underused building until Stannery Solutions completely transformed it into highly desirable cutting-edge accommodation, designed to meet the demand of the city's growing student population. The company's £1.7m makeover breathed new life into the building, which now comprises 69 boutique ensuite rooms; two cinema rooms; landscaped rooftop terrace cafe; social area; pool room; launderette facilities; and kitchens.

Nilem Boyd, Director of Stannery Solutions remembered having seen Grant Westfield waterproof bathroom wall panels and flooring at an exhibition and felt that they would be the perfect choice to clad Farrier House's ensuite bathrooms and accessible wet rooms.

"Grant Westfield provided us with a completely waterproof solution at an affordable price, she said. "Beyond product functionality, Grant Westfield also offered us a great choice of stylish decors that we knew would appeal to today's discerning students."

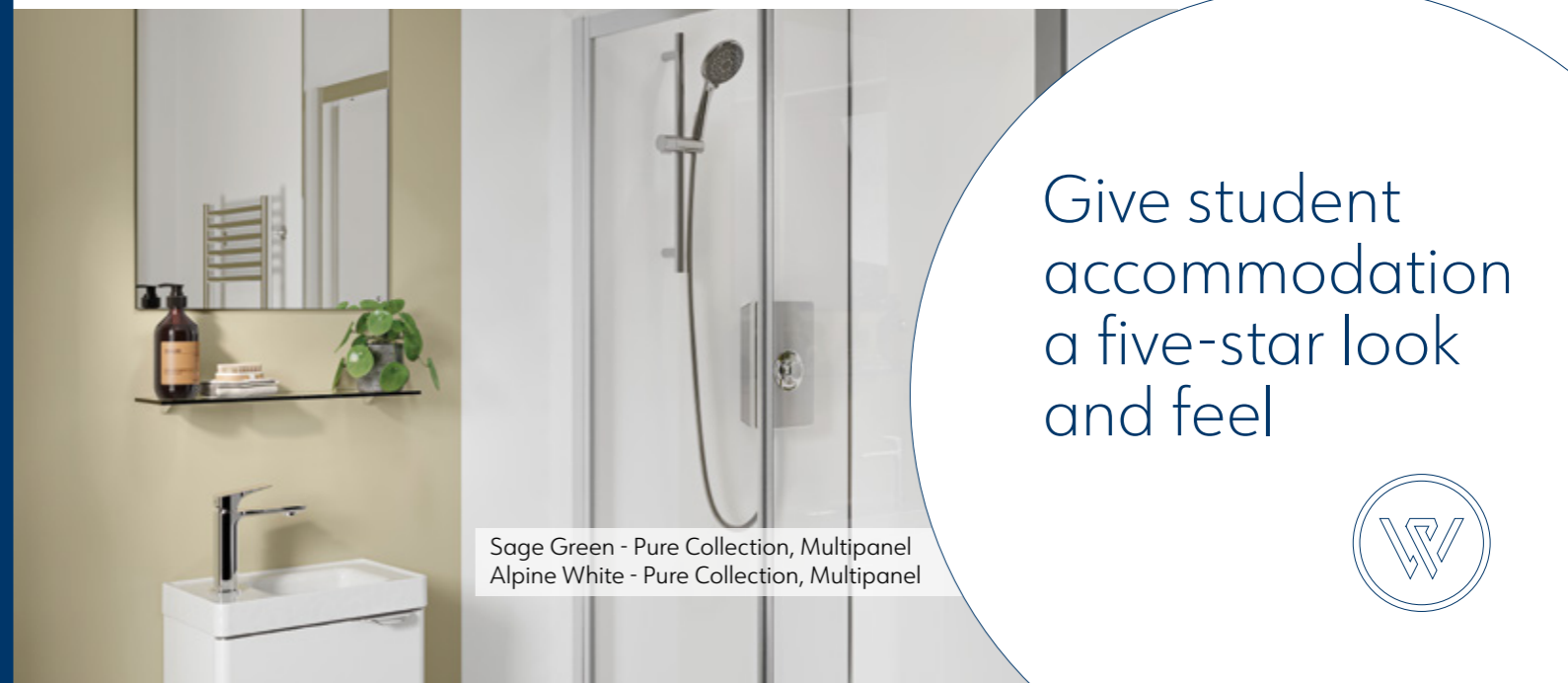
"Student rooms are arranged over three floors so we had to be sure that we had the right watertight solution in place to eliminate the risk of water ingress from one floor to those below. Grant Westfield's Hydrolock joint system satisfied that requirement."

"We also act as landlords at Farrier House, so it was important for us to ensure tight control over future ongoing maintenance costs, and that's one of the reasons why we selected high quality contemporary products like Multipanel that require only minimal maintenance and are easy to clean – ones tough enough to withstand the inevitable heavy wear and the occasional knock from residents."

"The completed bathrooms and wet rooms look great and the feedback from students, who find the panels easy to clean, has been good. All our facilities, including bathrooms and wet rooms remain in pristine condition, ready for our second wave of students arriving in September."



View our case studies online



Sage Green - Pure Collection, Multipanel  
Alpine White - Pure Collection, Multipanel

Give student accommodation a five-star look and feel





## Independent Living

Our years of experience in the independent living sector have enabled us to develop lasting waterproof solutions. Find out how you can benefit by using our panels.

### Reduce Resident Disruption

A fundamental challenge for independent living providers is the speed of adaptation. It can be tricky to finish a project with minimal disruption to the clients, guests, and tenants. Grant Westfield shower panels quicken the process since they reduce the requirement for backing board materials and specialist trades on-site. In addition, panels can be fitted and ready for use within 24 hours.

### Inclusive Environments, Modern Designs

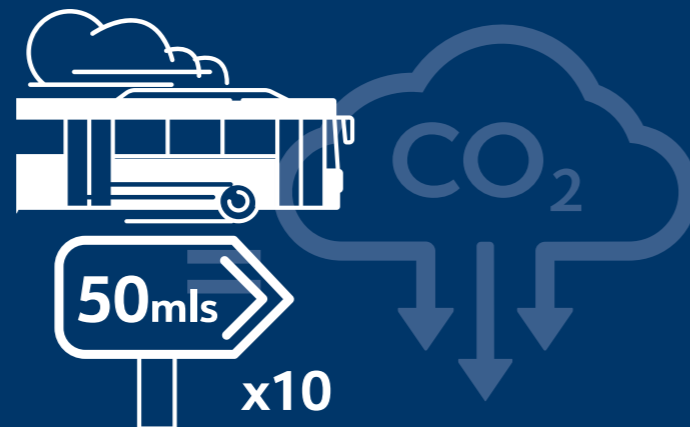
Traditionally, hygienic and accessible bathrooms have not provided the most contemporary designs. However, with Grant Westfield this is changing. Our collections offer a modern style through a wide range of classic and contemporary wall decors with various finishes. Whether clients are looking for classic white or stone textures and minimalist colours—Grant Westfield offers it all.

### Lifetime Homes and Accessibility

Our shower wall panels are easy to clean and maintain thanks to the lack of grout and are delivered with a 30-year warranty.

The CO<sub>2</sub> saved when using Multipanel over tiles in a 75 room care home is enough to run a 50-mile coach round trip 10 times.

**EPD**<sup>®</sup>  
THE INTERNATIONAL EPD<sup>®</sup> SYSTEM



“We know that our residents are only inconvenienced for a short time”

**Steve Brine**, Estate Manager at Hallmark Care Homes

## Hallmark Care Homes Wales and Wimbledon

The renovation project started as a test run and has since developed into an ongoing project that aims to refurbish 5 care homes with 100 rooms each, using waterproof wall panels from the Linda Barker and the Classic Collection.

“We were looking for a method of turning our rooms around in a short time while maintaining the high-quality finish that our residents expect.”

The renovation project included not just the bathrooms but entire rooms. With an occupied care home, completing renovations on time can be a real challenge, as Hallmark explains.

“Displacement for any residents, especially if they are living with dementia, will always be a challenge. Being able to reduce that time away from their room is key to a successful rollout.”

Hallmark needed to consider both the speed and difficulty of the renovation project to ensure a successful installation.

Hallmark kicked off the project with a trial run, which would ensure adequate time management during the upcoming renovations. For this purpose, the team installed Calacatta Marble wall panels in one of their rooms and came to a surprising conclusion.

“We were able to demonstrate that the installation time against traditional tiling is radically reduced [because we managed] to achieve a quick turnaround [while keeping] that 5-star feel.”

Due to the success of the trial installation, Hallmark decided to roll out further renovations across the group using Grant Westfield.



View our case studies online



Grey Mineral - Large, Tile Collection, Multipanel  
Alpine White - Pure Collection, Multipanel

Reduce care home residential disruption



## Hotels

Our many years of experience in the hotel sector have enabled us to develop lasting waterproof solutions for a variety of hotels. Find out more about our luxury hotel bathrooms.

### Reduce Guest Disruption

It's essential that there is minimal guest disruption when refurbishing hotel bathrooms. Our easy-to-install panels can be installed up to 5 times faster than traditional tiles with our unique Hydrolock joint. Grant Westfield panels are equipped with a 30-year warranty, creating a long-lasting finish.

### Effortlessly Luxurious Hotel Aesthetic

Style is everything when it comes to a hotel. It helps determine the guest experience and impacts on pricing structure, reviews and reputation. Grant Westfield bathroom wall panels offer a wide range of designs and colours to suit your exact needs. Our panels require less trades to install, reducing guest disruption. Elegant marble, pristine tiles, or natural textures—create a feeling of luxury for a fraction of the cost, achieving a five star hotel aesthetic.

### Improve Installation, Maintenance and Cleaning Times

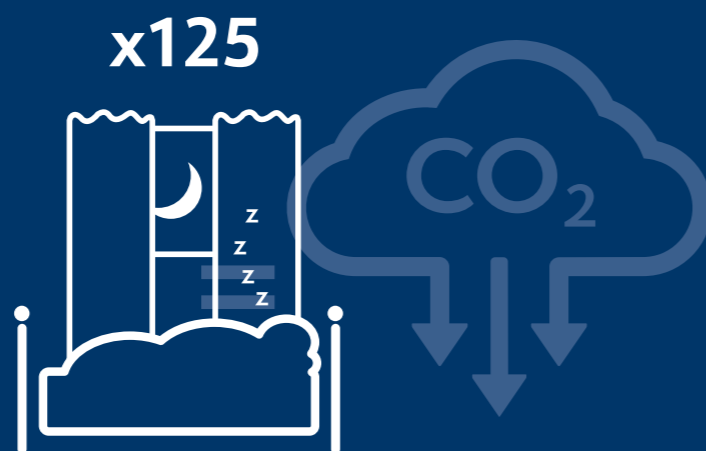
Grant Westfield bathroom wall panels can be installed over old tiles, further reducing the installation time. By choosing our waterproof wall panels instead of traditional tiles, you can eliminate the problem of water leakage due to improper tile installation and grouting. Our groutless panels are easy to clean and require minimal maintenance, reducing the amount of time spent on cleaning hotel rooms.

### Save Money

Reduce bathroom installation costs by up to £30/m<sup>2</sup> by switching to Grant Westfield bathroom wall panels from traditional tiles. Our panels remove the need for specialist wet trades on-site, meaning fitting time is significantly reduced and unlike tiles there is no need to wait for the panels to dry as no grout is involved. This makes them up to 5x faster to install than traditional tiles.

Fitting Multipanel over tiles in an average sized hotel saves the same amount of CO<sub>2</sub> as 125 nights room occupancy.

**EPD**<sup>®</sup>  
THE INTERNATIONAL EPD<sup>®</sup> SYSTEM



“Labour costs were significantly reduced since the wall panels could be installed in one day”

Celia Potter, Director of Potter Resorts

## Potters Resorts Five Lakes Essex

Potters Resorts Five Lakes is situated in the heart of Essex. It offers an all-inclusive experience that includes a wide variety of activities, food and drink, and entertainment.

For its recent bathroom refurbishment project, Potters Resorts chose Multipanel bathroom wall panels due to their easy installation and maintenance and grout-free design. The resort's renovation project included shower wall panels from the Linda Barker and the Tile Collection.

“Multipanel has so many advantages. Among them are the huge savings in labour costs, such as tiling and grouting, which normally take double the time to complete.” - Celia Potter, Director of Potters Resorts

During the renovation period, the hotel needed to stay open. The team devised a tight work schedule, which was realised over a period of 18 months.

“Our main concern was the minimal disruption to guests. The bathrooms had not been touched in 25 years and were fully tiled. Removing the tiles was not an option due to the noise, mess and time [it would have taken].

“Our solution was to remove all fixtures from the bathrooms and panel all walls to cover the existing old tiles.”

“Our housekeeping staff love Multipanel because it makes their job so much easier to keep the bathrooms clean.”



View our case studies online



Valmasino Marble - Pure Collection, Multipanel  
Markham Calhoun Oak, Timber - Click Flooring, Multipanel  
Monza, Tile Grout Edge - Click Flooring, Multipanel

Minimise  
disruption  
in hotel  
bathrooms



## Modular Build

Our stylish fully waterproof wall panels offer a durable, modern alternative to tiles and with no grout, they are perfect for modular housing projects.

### Robust for Transportation

Using the most robust materials, whilst transporting in bespoke designed crates, Grant Westfield understands the importance of the product being available when and where required and the value this brings in your manufacturing schedule.

### Rapid Installation

Grant Westfield bathroom wall panels can be installed up to five times quicker than tiles. The Hydrolock® tongue and groove joining system makes it possible to join two panels without a mid-joint by creating a discreet watertight joint. The panels can also be fitted straight onto timber frameworks or plasterboard without the need for specialist trades. This saves time on busy modular construction sites, and accelerates production as there is no need to wait for the tiles to dry, speeding up the process and ensuring that the homes reach their destination on time.

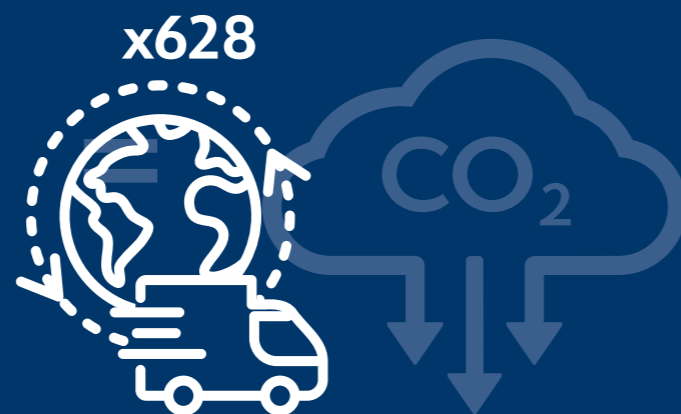
### Luxury Designs

Modular buildings are no longer plain and small. Our wide selection of colors and designs—including wood, stone and even marble effects—offers a variety of design options for any bathroom size and design preference. Create the bathroom of your customers' dreams for a fraction of the cost. Modular homes have never been so versatile!

### Sustainable Panels

The environment matters to us. Panels in our Tile, Pure, Linda Barker, Contemporary and Classic collections are all Forest Stewardship Council® (FSC® C128180) ensuring that the timber we use originates from responsibly managed forests and other controlled sources. Shower panels in these collections are also manufactured in the UK and 100% recyclable.

Driving around the circumference of the Earth 628 times is equivalent to the CO<sub>2</sub> reduction in Multipanel being used instead of tiles in 2023.



“Their large range aligns with the customisation element of our offering”

Sophie Chater, Sales & Marketing Executive

## Totally Modular Modular homes bathroom

Totally Modular were looking for a new innovative way to cover the wet areas of their three-bed show home bathroom at Dudley College. With their homes being transported across the country, Totally Modular wanted to avoid using wet trades in their buildings and instead work with products that were far more robust than individual tiles. They chose to use Grant Westfield bathroom wall panels as our durable panels are easy to install and on average can be installed up to a 5 times quicker than tiles.

“When the Grant Westfield solution was installed at our three-bed demonstrator home, we were very impressed. Not just from an aesthetic point of view, but also logistically, this system accommodates our methodology when our homes are being transported across the country.”  
Sophie Chater, Sales & Marketing Executive at Totally Modular.

Our range of decors, featuring finishes including marble and granite, also provides a variety of design possibilities catering for any bathroom size and design taste.

“We were thrilled to partner with Grant Westfield for a variety of reasons,” continues Sophie. “Firstly, we were impressed with the quality and vast design choice of their products. We pride ourselves in offering our customers bespoke solutions, so their large range aligns with the customisation element of our offering.”

As an eco-conscious manufacturer, it was important for Totally Modular to work with a company that upholds sustainability values and for Grant Westfield, environmental responsibility is a core principle.

“Furthermore, sustainability is at the heart of everything we do at Totally Modular,” says Sophie. “It is now at the heart of all our processes from how our modular homes are designed, constructed through to the living experience that the residents benefit from. Seeing Multipanel also putting sustainability at the front of their agenda, was important to us when deciding to partner with them.”



View our case studies online



Concrete Formwood - Linda Barker Collection, Multipanel

Reduce the environmental impact whilst increasing the speed of build



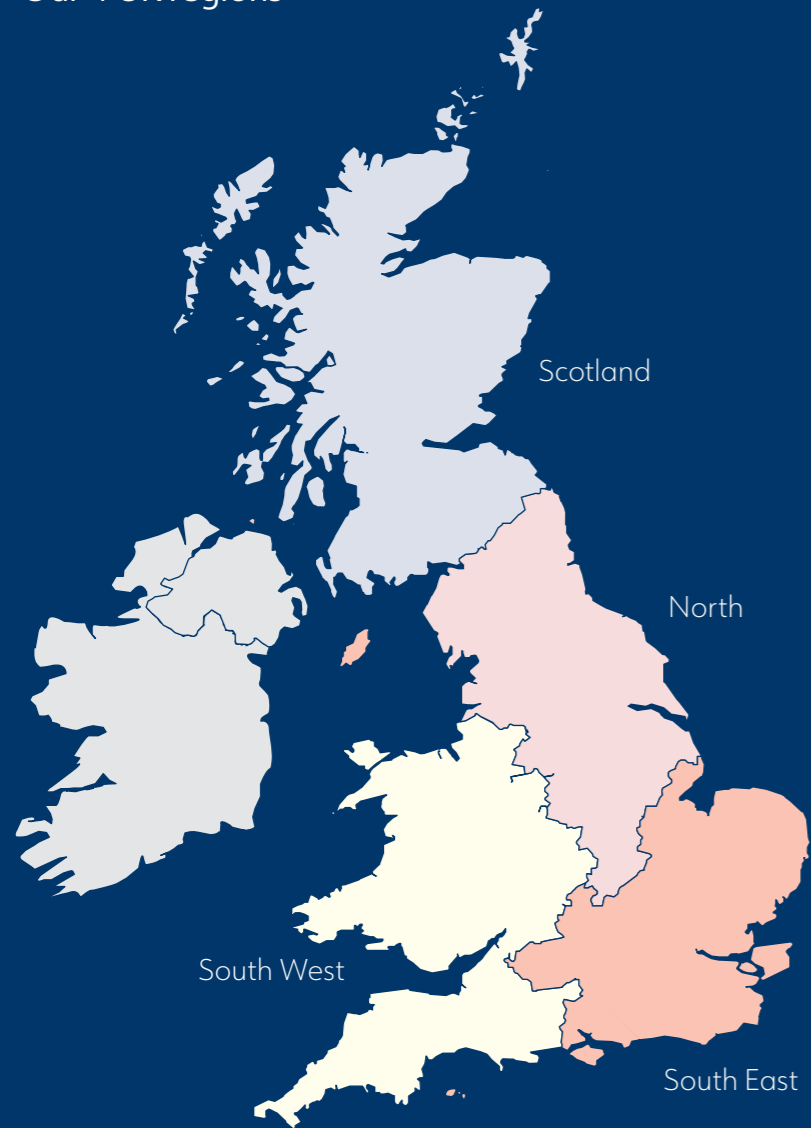
Here to support you



Brown Cuneo Oak - Naturepanel  
Rimini, Tile Standard - Click Flooring, Multipanel

# We're here to support you

## Our 4 UK regions



Our dedicated Specification Team specialises in providing tailored solutions in the sector. We pride ourselves in offering an excellent service, from presale support and on-site meetings to aftersale advice.

With a deep understanding of the unique requirements, we offer expert guidance and support throughout every stage of your project.

Get in touch with a member of the team today for more information.

### Specification Team

#### Specification Sales Director

Jamie Sandilands  
07484 082 494



#### Specification Sales Managers

##### Scotland

Jay Finch  
07483 331 764



##### North

Anthony Stobbs  
07483 373 320



##### South East

Harry Simmons  
07483 373 229



##### South West

Gareth Humphries  
07807 254 432



White Gypsum - Tile Collection, Large, Multipanel  
Como, Chevron - Click Flooring, Multipanel

# Link up, interact and learn more about all of our products

## Free Trial Installation

We offer a Free Trial scheme which provides free products and free-of-charge installation and training services. Experience first-hand how our panels can save time and money during your next bathroom development project.

Find out more on the Free Trial scheme at: [www.grantwestfield.co.uk/free-trial-scheme](http://www.grantwestfield.co.uk/free-trial-scheme)

## Product Literature

Find a variety of documents to help you and your team learn more about how to install and specify our products.

Multipanel: [www.multipanel.co.uk/products/product-literature](http://www.multipanel.co.uk/products/product-literature)

Naturepanel: [www.naturepanel.co.uk/product\\_literature](http://www.naturepanel.co.uk/product_literature)

## Brochures

Browse our latest brochures and discover our best-selling designs.



Multipanel: [www.multipanel.co.uk/brochure](http://www.multipanel.co.uk/brochure)

Naturepanel: [www.naturepanel.co.uk/brochure](http://www.naturepanel.co.uk/brochure)

## Carbon Reduction Calculator

As part of our pledge to support specifiers, architects, and designers in meeting net zero by 2050 we've introduced a new carbon reduction calculator.

Calculate the amount of CO<sub>2</sub> that can be saved by choosing wall panels over tiles in social housing, new build homes, modular, care homes, and hotel projects to support you choose products with the lightest environmental impact at the product selection stage.



To calculate the carbon savings for your next project, visit:

Multipanel: [www.multipanel.co.uk/carbon-reduction-calculator](http://www.multipanel.co.uk/carbon-reduction-calculator)

Naturepanel: [www.naturepanel.co.uk/carbon-reduction-calculator](http://www.naturepanel.co.uk/carbon-reduction-calculator)

## Cost & Time Saving Calculator

Quantify how much time and money you could save on your next project with our added value tool. Please contact your Specification Manager for a demonstration and calculation.

## Room Visualiser

Step into a world of endless design possibilities with the Grant Westfield Room Visualiser.

Create your own interior designs in commercial and home interior spaces using wall panels and flooring products from both Multipanel and Naturepanel.



To use our visualiser, visit: <https://grantwestfield.visualiseitnow.com>

## Explore our brands further

Stay up to date with our brands on the below.

**MULTIPANEL**

e. [info@multipanel.co.uk](mailto:info@multipanel.co.uk)  
w. [www.multipanel.co.uk](http://www.multipanel.co.uk)



**NATUREPANEL**

e. [info@naturepanel.co.uk](mailto:info@naturepanel.co.uk)  
w. [www.naturepanel.co.uk](http://www.naturepanel.co.uk)



Please note: the images reproduced in this brochure are within the constraints of the printing process and are not to be used for colour matching purposes. Samples are available from your local showroom or online at [grantwestfield.co.uk](http://grantwestfield.co.uk).

👂 We were thrilled to partner with Grant Westfield for a variety of reasons... we were impressed by the quality and the vast choice of their products. 🗨️

Sophie Chater - Sales & Marketing Executive, Totally Modular



# GRANT WESTFIELD

TRANSFORMING SPACES SINCE 1881

t. 0131 337 6262  
e. [info@grantwestfield.co.uk](mailto:info@grantwestfield.co.uk)  
w. [www.grantwestfield.co.uk](http://www.grantwestfield.co.uk)

Grant Westfield  
3 Westfield Avenue  
Edinburgh EH11 2QH



Bleached Cuneo Oak - Naturepanel  
Levanto Marble - Pure Collection, Multipanel  
Como, Chevron - Click Flooring, Multipanel

© Norcros Group (Holdings) Ltd 2023. All rights reserved. Multipanel® and Naturepanel® are registered trademarks of Norcros Group (Holdings) Ltd T/A Grant Westfield.

Some of the images in this brochure feature products from other Norcros brands including Vado, Merlyn and Triton.

 NORCROS